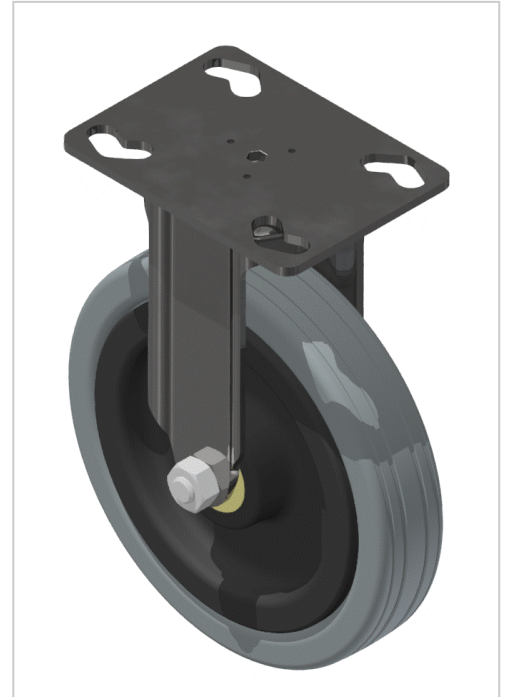


Castor D125 fixed Fitting Plate, bright zinc-plated

Product number M-102



Product description

Swivel and fixed castors are used on assemblies and frames of all kinds. They have very good rolling characteristics and are highly resilient. The castors are resistant to many environmental influences.

Product properties

Roll type	Fixed castor
Mounting type	Screw-on plate
Compatible with	Beewatec
Series	S- LPS Lean Production
Part type	Apparatus castors
Roller diameter	Ø 125 mm
Lean system type	D28 steel kit system
Load capacity	100 kg

More images



