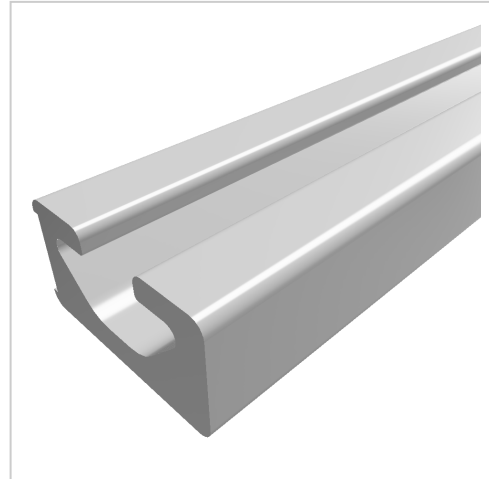


Profile 5 20x20 3N, natural

| | |
|-----------------------|----------------|
| Product number | PI-4150 SN3000 |
| Weight | 13.34kg |
| Length | 3000mm |



Product description

The compact design of Profiles 5 with closed grooves makes them particularly suitable for small and weight-optimised assemblies. With the closed groove side, visually appealing and low-maintenance constructions can be realised. The grooves and core holes of Profiles 5 are designed for M5 screws.

Delivery length 3000 mm

Product properties

| | |
|------------------------|-------------------------------------|
| Size | 16x8,5 mm |
| Material | Al Mg Si 0.5 F25, artificially aged |
| Anodised | E6EV1 10-15 µm silver |
| Tolerances | EN 12020-2 |
| Compatible with | item |
| Nutauszugskraft | F=500 N |
| Delivery unit | Rods |
| Groove shape | 3 sides closed |
| Contour | Rectangular |
| Series | Series 5 |
| Profile length | 3000 mm bar |
| Colour | natural |
| Execution | heavy |

More images

