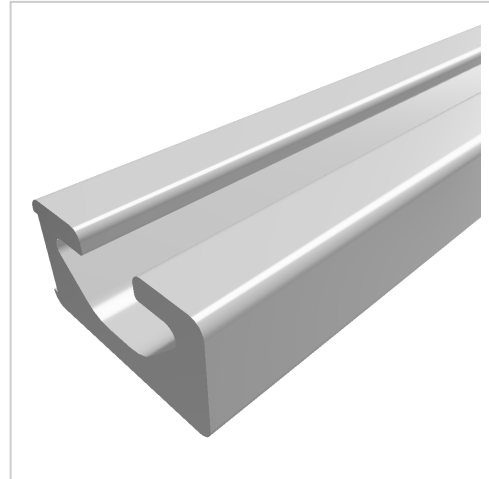


## Profile 5 20x20 3N, natural

**Product number** PI-4150 SZ

**Weight** 0.22kg



### Product description

The compact design of Profiles 5 makes them particularly suitable for small and weight-optimised assemblies. The grooves and core holes of Profiles 5 are designed for M5 screws.

Cut to size max. 6000 mm

### Product properties

<b>Size</b>	16x8,5 mm
<b>Material</b>	Al Mg Si 0.5 F25, artificially aged
<b>Anodised</b>	E6EV1 10-15 µm silver
<b>Tolerances</b>	EN 12020-2
<b>Compatible with</b>	item
<b>Nutauszugskraft</b>	F=500 N
<b>Groove shape</b>	3 sides closed
<b>Delivery unit</b>	Cuts
<b>Contour</b>	Rectangular
<b>Series</b>	Series 5
<b>Colour</b>	natural
<b>Execution</b>	heavy

More images

