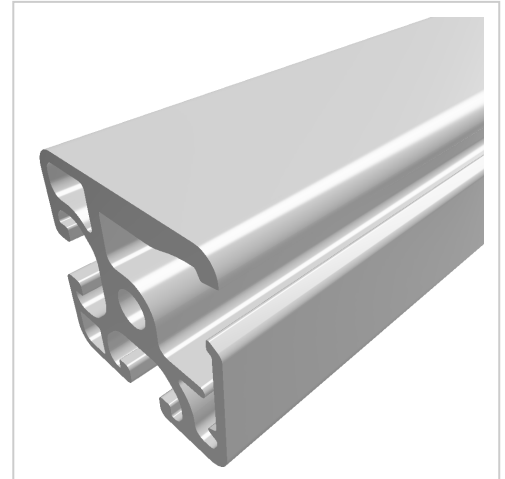


# Clamp Profile 8 40x40, natural

Klemmprofil 8 40x40 E natur – stabile und saubere Lösung zur Befestigung von Platten und Füllungen in Rahmenkonstruktionen. Ideal für Verkleidungen und Maschinenbau.

**Product number** PI-1396 SZ

**Weight** 1.76kg



## Product description

Profiles 8 are suitable for assemblies of all kinds. Due to the different profile geometries, the material requirements can be adapted to the application. The grooves and the core holes of the profiles 8 are designed for M8 screws. Clamping profiles are used to build large and stable protective panels. The panel elements are screwed together with cylinder head screws and clamping strips. The direct screwing of the panel element supports the stability of the panel. Panel size: clear inside dimension +30.0 mm  
Cut to size max. 6000 mm

## Product properties

<b>Material</b>	Al Mg Si 0.5 F25, artificially aged
<b>Anodised</b>	E6EV1 10-15 µm silver
<b>Tolerances</b>	EN 12020-2
<b>Nutauszugskraft</b>	F=1.750 N
<b>Breite Profil</b>	40 mm
<b>Höhe Profil</b>	40 mm
<b>Funktionsintegration</b>	Flächenbefestigung
<b>Profile length</b>	Cut length
<b>Series</b>	Series 8
<b>Contour</b>	Square
<b>Groove shape</b>	Clamp Profile
<b>Delivery unit</b>	Cuts
<b>Size</b>	40x40 mm
<b>Colour</b>	natural
<b>Execution</b>	economy

More images

