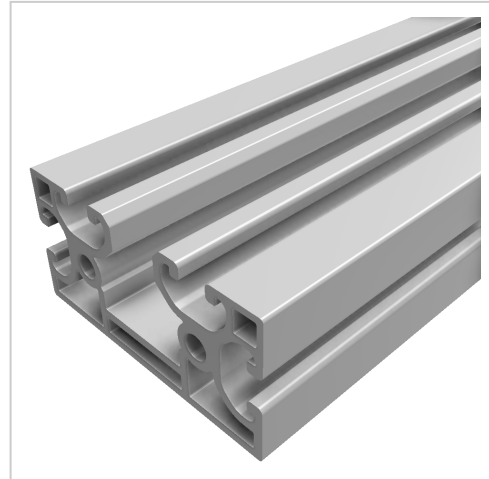


# Profile X 8 80x40 light, natural

**Product number** PI-6171 SZ

**Weight** 2.94kg



## Product description

The profiles of the Z8 series are weight-optimised profiles in cross-sections of 40x40, 40x80 and 80x80. The profile grooves are freely accessible or hidden under a flush smooth outer surface. If necessary, the cover can be easily opened and removed for the shoring of connecting elements or for the attachment of accessories. The sharp-edged geometry of the profile outer edge results in a level transition in the profile joint. The grooves and the core holes of the Z8 profiles are designed for M8 screws.

Cut to size max. 6000 mm

## Product properties

<b>Material</b>	Al Mg Si 0.5 F25, artificially aged
<b>Anodised</b>	E6EV1 10-15 µm silver
<b>Tolerances</b>	EN 12020-2
<b>Compatible with</b>	item
<b>Nutauszugskraft</b>	F=2.500 N
<b>Breite Profil</b>	80 mm
<b>Funktionsintegration</b>	Kabelkanalöffnung
<b>Execution</b>	XMS, light
<b>Groove shape</b>	1 side closed
<b>Profile length</b>	Cut length
<b>Series</b>	Series 8
<b>Delivery unit</b>	Cuts
<b>Contour</b>	Rectangular
<b>Colour</b>	natural
<b>Size</b>	80x40 mm

### More images

