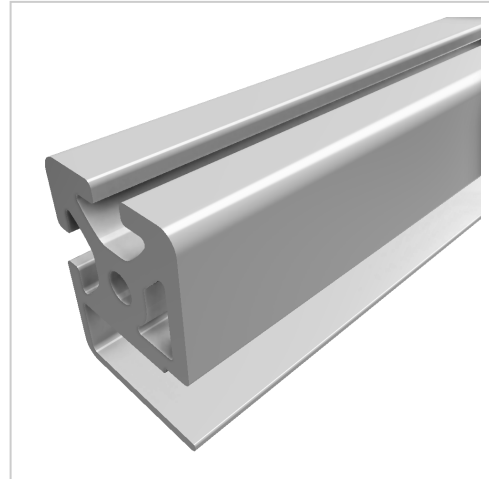


Roller Profile 8 D14, natural

Product number PI-1413 SN6000
Weight 15.12kg
Length 6000mm



Product description

The track roller profile is used to create bearing units D14 in suitable length up to 6000mm.

Product properties

Material Al Mg Si 0.5 F25, artificially aged
Anodised E6EV1 10-15 µm silver
Tolerances EN 12020-2
Compatible with item
Part type Roller guides
Nutauszugskraft F=5.000 N
Diameter mm Ø 10
Delivery unit Rods
Series Series 8
Profile length 6000 mm bar
Colour natural

More images

