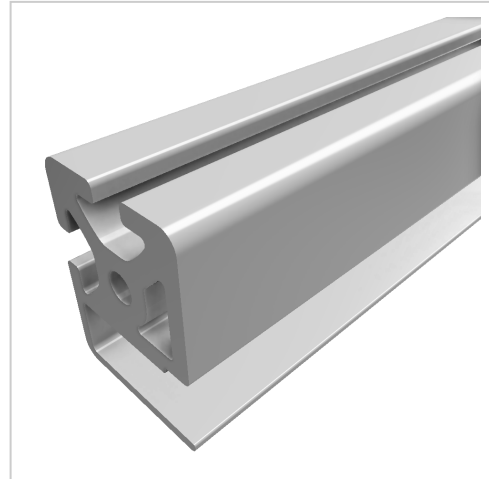


# Roller Profile 8 D14, natural

**Product number** PI-1413 SZ

**Weight** 2.52kg



## Product description

The track roller profile is used to create bearing units D14 in suitable length up to 6000mm.

Cut to size max. 6000 mm

Compatible with item 0.0.426.02

## Product properties

<b>Part type</b>	Roller guides
<b>Nutauszugskraft</b>	F=5.000 N
<b>Diameter mm</b>	Ø 10
<b>Profile length</b>	Cut length
<b>Series</b>	Series 8
<b>Delivery unit</b>	Cuts
<b>Contour</b>	Rectangular
<b>Colour</b>	natural

More images

