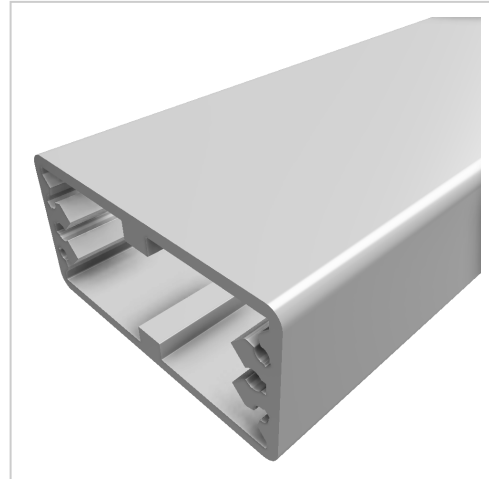


Profile 8 80x40, natural

Product number	PI-1421 SN6000
Weight	15.54kg
Length	6000mm



Product description

Profiles 8 are suitable for a wide range of assemblies. The grooves and the core holes of the profiles 8 are designed for M8 screws.

Delivery length 6030 mm

Product properties

Material	Al Mg Si 0.5 F25, artificially aged
Anodised	E6EV1 10-15 µm silver
Tolerances	EN 12020-2
Compatible with	item
Part type	Telescopes
Breite Profil	80 mm
Höhe Profil	40 mm
Delivery unit	Rods
Series	Series 8
Profile length	6000 mm bar
Groove shape	4 sides closed
Colour	natural
Execution	heavy
Size	80x40 mm

More images

