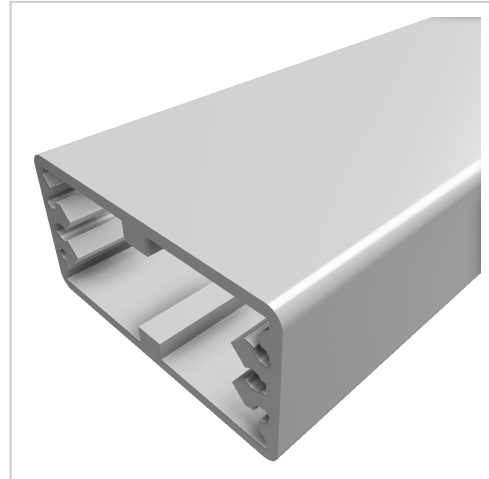


## Profile 8 80x40, natural

**Product number** PI-1421 SZ

**Weight** 2.59kg



### Product description

Profiles 8 are suitable for assemblies of all kinds. Due to the different profile geometries, the material requirements can be adapted to the application. The grooves and the core holes of the profiles 8 are designed for M8 screws.

Cut to size max. 6000 mm

### Product properties

<b>Material</b>	Al Mg Si 0.5 F25, artificially aged
<b>Anodised</b>	E6EV1 10-15 µm silver
<b>Tolerances</b>	EN 12020-2
<b>Compatible with</b>	item
<b>Part type</b>	Telescopes
<b>Breite Profil</b>	80 mm
<b>Höhe Profil</b>	40 mm
<b>Profile length</b>	Cut length
<b>Series</b>	Series 8
<b>Delivery unit</b>	Cuts
<b>Contour</b>	Rectangular
<b>Groove shape</b>	4 sides closed
<b>Colour</b>	natural
<b>Execution</b>	heavy
<b>Size</b>	80x40 mm

## More images

