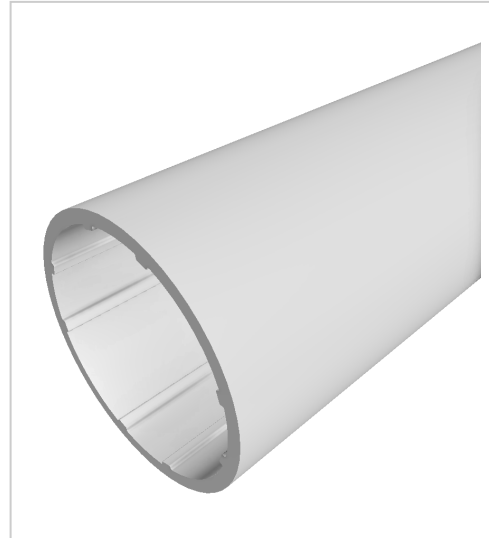


Tube D50 Al, natural

Product number PI-1114 SZ

Weight 0.337kg



Product description

With the D50 tube, together with the D50 bearing set, variable width roller conveyors are realised.

Product properties

Transport roller Ø	TR 32
Material	Al Mg Si 0.5 F25, artificially aged
Anodised	E6EV1 10-15 µm silver
Tolerances	EN 12020-2
Part type	Transport rollers
Profile length	Cut length
Series	Series 8
Delivery unit	Cuts

More images

