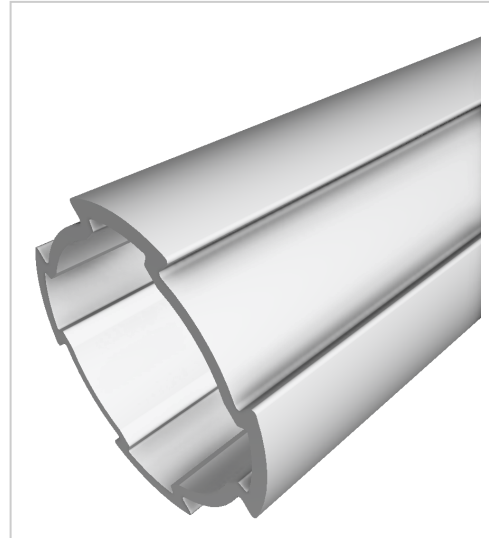


Profile Tube D30, natural

Product number PL-1114 SN 6000
Weight 3.96kg
Length 6000mm



Product description

Round tube with aluminium clamping grooves

Product properties

Material Al Mg Si 0.5 F25, artificially aged
Anodised E6EV1 10-15 µm silver
Tolerances EN 12020-2
Compatible with item
Series i- LPS Lean Production
Delivery unit Rods
Profile length 6000 mm bar
Lean system type D30 Aluminium i kit system

More images

