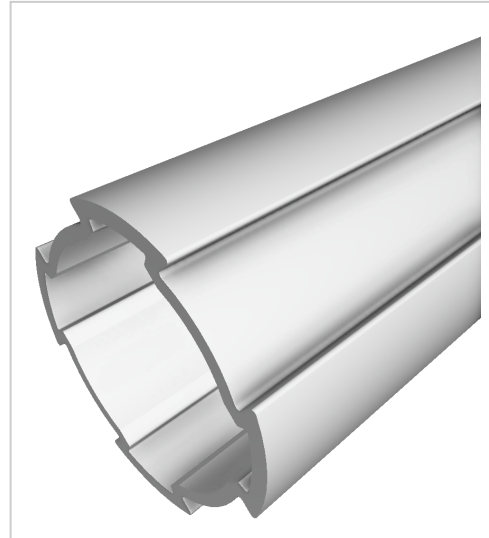


Profile Tube D30, natural

Product number PL-1114 SZ

Weight 0.661kg



Product description

Round tube with aluminium clamping grooves

Product properties

Material	Al Mg Si 0.5 F25, artificially aged
Anodised	E6EV1 10-15 µm silver
Tolerances	EN 12020-2
Compatible with	item
Series	i- LPS Lean Production
Profile length	Cut length
Delivery unit	Cuts
Lean system type	D30 Aluminium i kit system

More images

