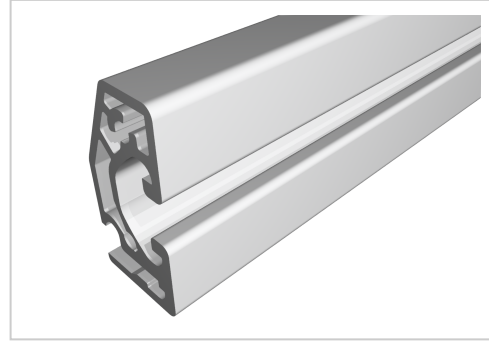


## Profile 8 80x40 light, natural

**Product number** PI-1197 SN6000  
**Weight** 5.28kg  
**Length** 6000mm



### Product description

Profiles 8 are suitable for assemblies of all kinds. Due to the different profile geometries, the material requirements can be adapted to the application. The grooves and the core holes of the profiles 8 are designed for M8 screws.

Delivery length 6030 mm

### Product properties

<b>Series</b>	Workstation systems, Series 8
<b>Material</b>	Al Mg Si 0.5 F25, artificially aged
<b>Anodised</b>	E6EV1 10-15 µm silver
<b>Tolerances</b>	EN 12020-2
<b>Compatible with</b>	item
<b>Part type</b>	Shelves
<b>Nutauszugskraft</b>	F=2.500 N
<b>Breite Profil</b>	40 mm
<b>Höhe Profil</b>	20 mm
<b>Groove shape</b>	Open grooves
<b>Size</b>	40x20 mm
<b>Delivery unit</b>	Rods
<b>Profile length</b>	6000 mm bar
<b>Execution</b>	light
<b>Contour</b>	Rectangular
<b>Colour</b>	natural

More images

