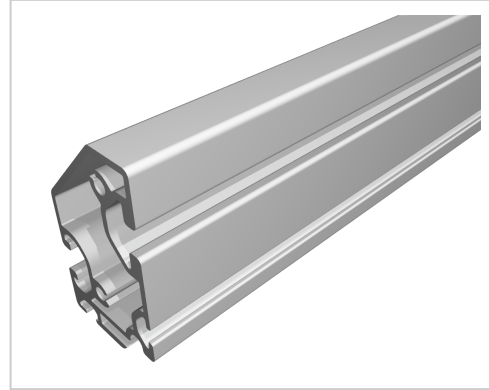


Profile 8 80x40 light, natural

| | |
|-----------------------|----------------|
| Product number | PI-1024 SN6000 |
| Weight | 10.8kg |
| Length | 6000mm |



Product description

Profiles 8 are suitable for assemblies of all kinds. Due to the different profile geometries, the material requirements can be adapted to the application. The grooves and the core holes of the profiles 8 are designed for M8 screws.

Delivery length 6030 mm

Product properties

| | |
|------------------------|-------------------------------------|
| Series | Workstation systems, Series 8 |
| Material | Al Mg Si 0.5 F25, artificially aged |
| Anodised | E6EV1 10-15 µm silver |
| Tolerances | EN 12020-2 |
| Compatible with | item |
| Part type | Shelves |
| Nutauszugskraft | F=1.750 N |
| Breite Profil | 60 mm |
| Höhe Profil | 40 mm |
| Groove shape | Open grooves |
| Delivery unit | Rods |
| Profile length | 6000 mm bar |
| Execution | light |
| Contour | Rectangular |
| Size | 60x40 mm |
| Colour | natural |

