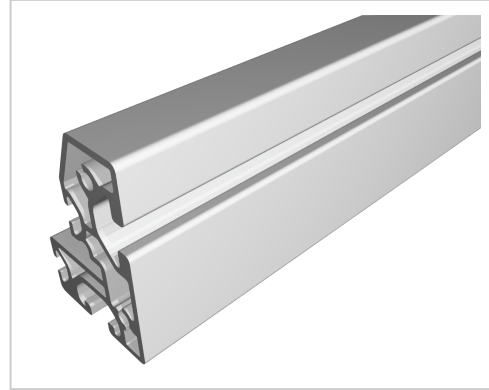


Profile 8 80x40 light, natural

Product number	PI-1023 SN6000
Weight	10.5kg
Length	6000mm



Product description

Profiles 8 are suitable for assemblies of all kinds. Due to the different profile geometries, the material requirements can be adapted to the application. The grooves and the core holes of the profiles 8 are designed for M8 screws.

Delivery length 6030 mm

Product properties

Series	Workstation systems, Series 8
Material	Al Mg Si 0.5 F25, artificially aged
Anodised	E6EV1 10-15 µm silver
Tolerances	EN 12020-2
Compatible with	item
Part type	Shelves
Nutauszugskraft	F=5.000 N
Breite Profil	60 mm
Höhe Profil	40 mm
Groove shape	Open grooves
Delivery unit	Rods
Profile length	6000 mm bar
Execution	light
Contour	Rectangular
Size	60x40 mm
Colour	natural

More images

