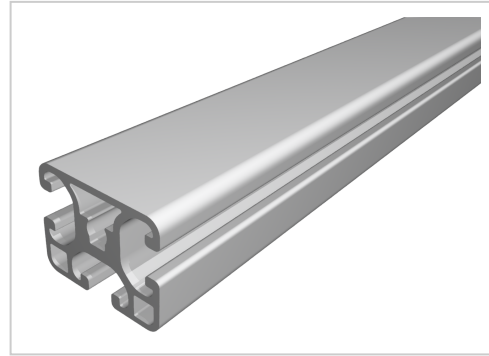


Profile 8 40x32 light, natural

Product number PI-1194 SZ

Weight 1.383kg



Product description

Profiles 8 are suitable for assemblies of all kinds. Due to the different profile geometries, the material requirements can be adapted to the application. The grooves and the core holes of the profiles 8 are designed for M8 screws.

Cut to size max. 6000 mm

Product properties

Material	Al Mg Si 0.5 F25, artificially aged
Anodised	E6EV1 10-15 µm silver
Tolerances	EN 12020-2
Compatible with	item
Nutauszugskraft	F=2.500 N
Breite Profil	40 mm
Höhe Profil	32 mm
Profile length	Cut length
Series	Series 8
Groove shape	Clamp Profile
Delivery unit	Cuts
Size	40x32 mm
Execution	light
Contour	Rectangular
Colour	natural

More images

