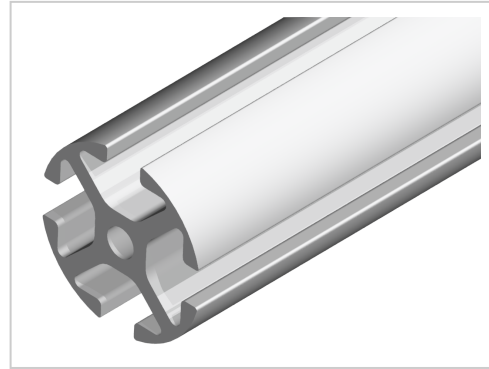


Profile Tube 6 D30, natural

Product number PL-1119 SN 6000

Weight 4.5kg

Length 6000mm



Product description

The profile 6 D30 offer more: Four profile grooves 6 for universal use of the accessories of the 6 series. This profile can be fully combined with tube and profile tube D30.

Compatible with item 0.0.616.45

Product properties

Material Al Mg Si 0.5 F25, artificially aged

Anodised E6EV1 10-15 µm silver

Tolerances EN 12020-2

Compatible with item

Series i- LPS Lean Production

Delivery unit Rods

Profile length 6000 mm bar

Lean system type D30 Aluminium i kit system

More images

