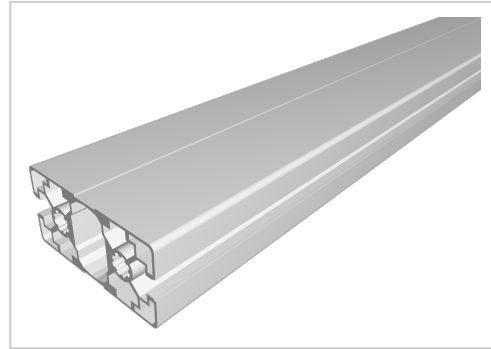


# Profile 45x90 2N 180° light natural-10

**Product number** PB-1260 SZ

**Weight** 3.31kg



## Product description

The profiles in pitch 45 with groove 10 are suitable for assemblies of all kinds. Due to the different profile geometries, the material requirements can be adapted to the application. The grooves are designed for M8 screws.

Cut to size max. 6000 mm

Compatible with Bosch 3 842 993 644

## Product properties

<b>Compatible with</b>	Bosch
<b>Nutauszugskraft</b>	F=7.000 N
<b>Breite Profil</b>	90 mm
<b>Höhe Profil</b>	45 mm
<b>Series</b>	Series 45-10
<b>Profile length</b>	Cut length
<b>Delivery unit</b>	Cuts
<b>Execution</b>	light
<b>Groove shape</b>	2 sides closed 180°
<b>Contour</b>	Rectangular
<b>Colour</b>	natural
<b>Size</b>	45x90 mm
<b>Modular dimension</b>	Modular dimension 45

More images

