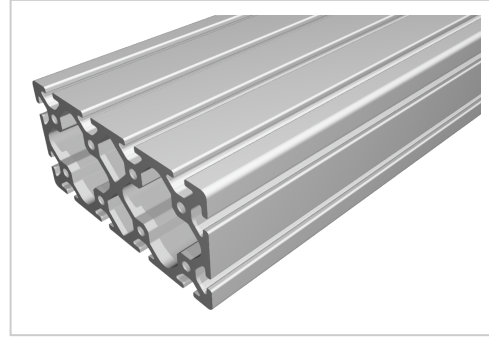


Profile 10 200x100, natural

Product number	PI-7070 SN6000
Weight	120.9kg
Length	6000mm



Product description

Profiles 10 are suitable for a wide range of assemblies. The grooves and the core holes of the profiles 10 are designed for M10 screws.

Delivery length 6030 mm

Product properties

Material	Al Mg Si 0.5 F25, artificially aged
Anodised	E6EV1 10-15 µm silver
Tolerances	EN 12020-2
Compatible with	item
Nutauszugskraft	F=7.000 N
Breite Profil	200 mm
Höhe Profil	100 mm
Groove shape	Open grooves
Delivery unit	Rods
Profile length	6000 mm bar
Series	Series 10
Contour	Rectangular
Colour	natural
Execution	heavy
Size	200x100 mm

More images

