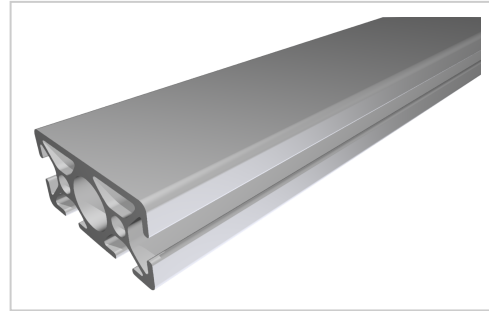


Profile 830 60x30 2N, natural

Product number PI-2030 SN6000
Weight 11.556kg
Length 6000mm



Product description

Profiles 8 30 with closed grooves are suitable for weight-optimised assemblies of all kinds. With the closed groove side, visually appealing and low-maintenance constructions can be realised. The grooves and core holes of Profiles 8 30 are designed for M8 screws.

Delivery length 6030 mm

Product properties

Material Al Mg Si 0.5 F25, artificially aged
Anodised E6EV1 10-15 µm silver
Tolerances EN 12020-2
Compatible with item
Nutauszugskraft F=500 N
Breite Profil 60 mm
Höhe Profil 30 mm
Groove shape 1 side closed
Delivery unit Rods
Profile length 6000 mm bar
Size 60x30 mm
Contour Rectangular
Colour natural
Series Series 8 30
Execution heavy

More images

