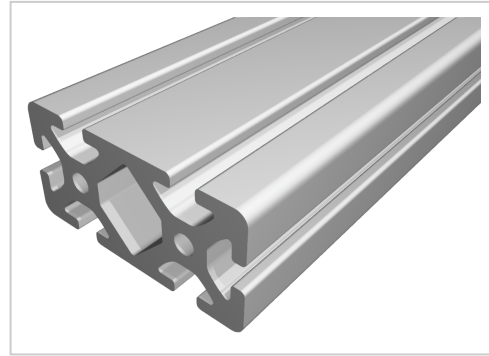


Profile 12 120x60, natural

Product number PI-8045 SN6000
Weight 60.9kg
Length 6000mm



Product description

Profiles light 12 are suitable for a wide variety of assemblies. The grooves and the core holes of the profiles 12 are designed for screws M12.

Delivery length 6030 mm

Product properties

Material Al Mg Si 0.5 F25, artificially aged
Anodised E6EV1 10-15 µm silver
Tolerances EN 12020-2
Compatible with item
Nutauszugskraft F=10.000 N
Breite Profil 120 mm
Höhe Profil 60 mm
Groove shape Open grooves
Delivery unit Rods
Profile length 6000 mm bar
Contour Rectangular
Size 120x60 mm
Colour natural
Execution heavy
Series Series 12

More images

