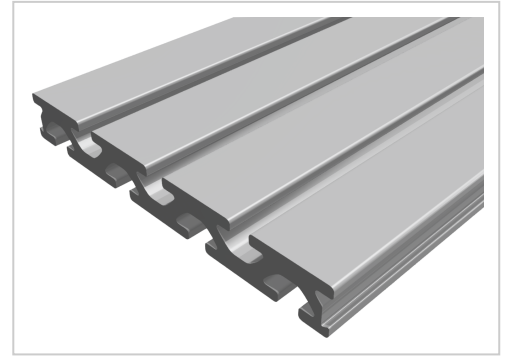


Bed Plate Profile 8 8 152x20, natural

Plattenprofil 8 152x20 natur – zur sauberen und bündigen Abdeckung von Profilmuten. Ideal für Maschinenverkleidungen, Sichtschutz und Rahmenverkleidungen.

Product number PI-1003 SZ

Weight 4.98kg



Product description

Plate profiles 8 are used for the production of variably sized surfaces with grooves 8 in a 40. grid. The fastening can be done on profile racks of different types
Cut to size max. 6000 mm

Product properties

Material	Al Mg Si 0.5 F25, artificially aged
Anodised	E6EV1 10-15 µm silver
Tolerances	EN 12020-2
Nutauszugskraft	F=5.000 N
Breite Profil	152 mm
Höhe Profil	20 mm
Groove shape	Open grooves
Profile length	Cut length
Series	Series 8
Delivery unit	Cuts
Contour	Rectangular
Size	20x152 mm
Colour	natural
Execution	heavy

More images

