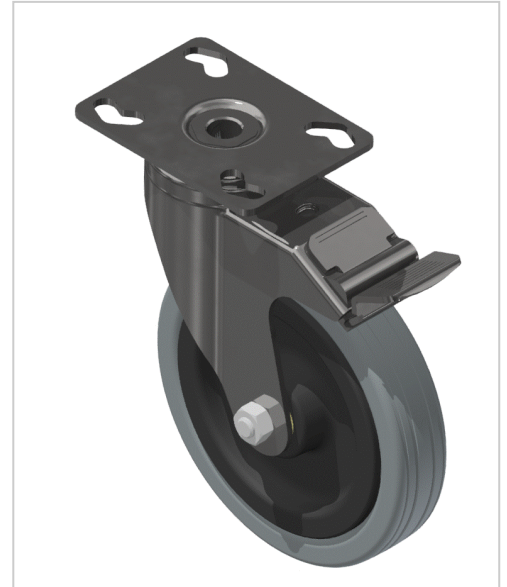


# Castor D125 swivel with double-brake Fitting Plate, bright zinc-plated

**Product number** M-108

**Weight** 0.9kg



## Product description

Swivel and fixed castors are used on assemblies and frames of all kinds. They have very good rolling characteristics and are highly resilient. The castors are resistant to many environmental influences.

## Product properties

|                         |                        |
|-------------------------|------------------------|
| <b>Roll type</b>        | Swivel castor          |
| <b>Mounting type</b>    | Screw-on plate         |
| <b>Compatible with</b>  | Beewatec               |
| <b>Series</b>           | S- LPS Lean Production |
| <b>Lean system type</b> | D28 steel kit system   |
| <b>Load capacity</b>    | 100 kg                 |
| <b>Size</b>             | Ø 125                  |

More images

