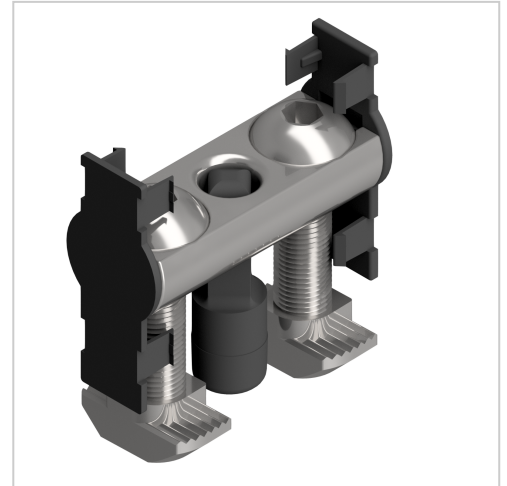


# Bolt Connector Set 45, bright zinc-plated-10

**Product number** VB-3015

**Weight** 0.078kg



## Product description

The bolt connector is used to connect two profiles at right angles. It is suitable for very high loads, including torsion. It can be installed in already mounted assemblies.

## Product properties

<b>Force limitation</b>	F < 4.000 N
<b>Profile processing</b>	1x hole
<b>Torque limitation</b>	F x l < 180 Nm
<b>Compatible with</b>	Bosch
<b>Part type</b>	Connector
<b>suitable connector</b>	Matching connector B10 45, Matching connector B10 45 90, Matching connector B10 45 light
<b>Connector type</b>	Bolt connector
<b>Series</b>	Series 45-10
<b>ESD discharging</b>	Yes
<b>Material</b>	Galvanized steel
<b>Modular dimension</b>	Modular dimension 45

## More images

