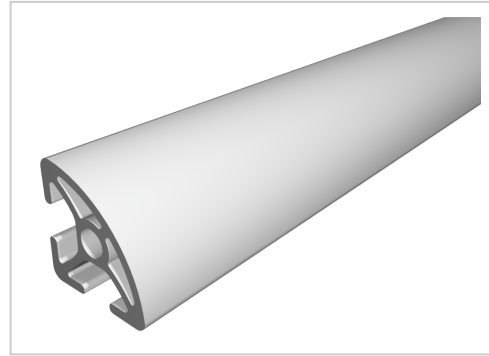


## Profile 830 R30-90°, natural

**Product number** PI-2110 SZ

**Weight** 0.839kg



### Product description

Profiles 8-30 are particularly suitable for weight-optimised assemblies. The grooves and the core holes of profiles 8 are designed for M8 screws.

Cut to size max. 6000 mm

### Product properties

<b>Material</b>	Al Mg Si 0.5 F25, artificially aged
<b>Anodised</b>	E6EV1 10-15 µm silver
<b>Tolerances</b>	EN 12020-2
<b>Compatible with</b>	item
<b>Nutauszugskraft</b>	F=500 N
<b>Profile length</b>	Cut length
<b>Delivery unit</b>	Cuts
<b>Size</b>	30x30 mm
<b>Contour</b>	Round
<b>Colour</b>	natural
<b>Series</b>	Series 8 30
<b>Execution</b>	heavy
<b>Groove shape</b>	Radius profiles

More images

