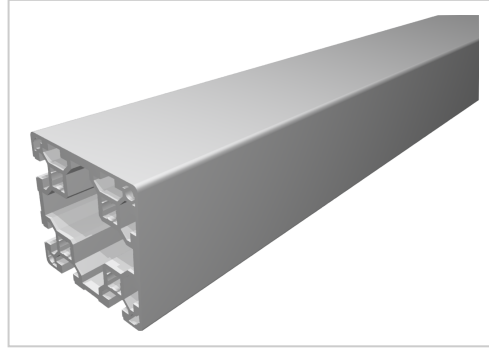


# Profile 80x80 4N 90° light natural-10

**Product number** PB-1180 SZ



## Product description

The profiles in pitch 40 with groove 10 are suitable for assemblies of all kinds. Due to the different profile geometries, the material requirements can be adapted to the application. The grooves are designed for M8 screws.

Cut to size max. 6000 mm

Compatible with Bosch 3 842 993 658

## Product properties

<b>Material</b>	Al Mg Si 0.5 F25, artificially aged
<b>Anodised</b>	E6EV1 10-15 µm silver
<b>Tolerances</b>	EN 12020-2
<b>Compatible with</b>	Bosch
<b>Nutauszugskraft</b>	F=7.000 N
<b>Breite Profil</b>	80 mm
<b>Höhe Profil</b>	80 mm
<b>Profile length</b>	Cut length
<b>Size</b>	80x80 mm
<b>Contour</b>	Square
<b>Modular dimension</b>	Modular dimension 40
<b>Delivery unit</b>	Cuts
<b>Execution</b>	light
<b>Series</b>	Series 40-10
<b>Colour</b>	natural
<b>Groove shape</b>	2 sides closed 90°

More images

