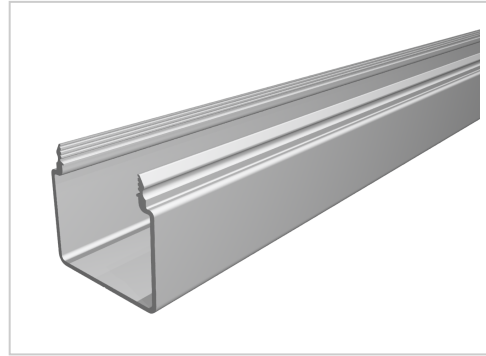


# Conduit Profile U 40x40 E, natural

**Product number** PI-5060 SN6000  
**Weight** 2.652kg  
**Length** 6000mm



## Product description

Trunking profiles and cover profiles are used to create various installation trunkings or cable runs. Our aluminium trunking has a very high stability and offers a visually sophisticated design.

Compatible with item 7.0.001.44

## Product properties

**Material** Al Mg Si 0.5 F25, artificially aged  
**Anodised** E6EV1 10-15 µm silver  
**Tolerances** EN 12020-2  
**Compatible with** item  
**Part type** Cable ducts  
**Delivery unit** Rods  
**Series** Series 8, Conduits  
**Profile length** 6000 mm bar  
**Colour** natural

More images

