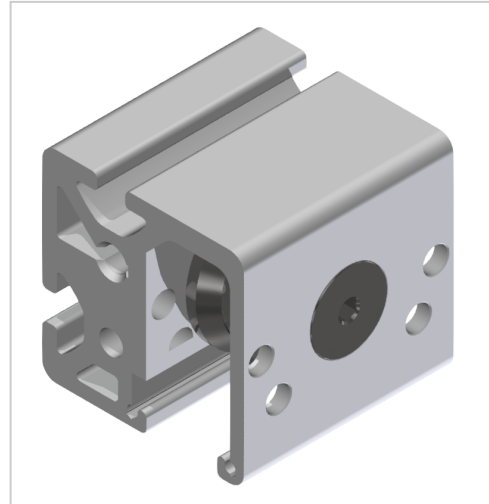


Bearing Unit 8 D14 z

Product number ZI-1635

Weight 0.308kg



Product description

Linear slides are built up with bearing units. They are used in pairs, 1 piece eccentrically (this is set backlash-free) and opposite 1 piece centrically. To minimise wear, a wiper lubrication system must always be installed on each bearing unit.

Product properties

Compatible with item
Part type Roller guides
Series Series 8
Diameter mm Ø 14

More images

