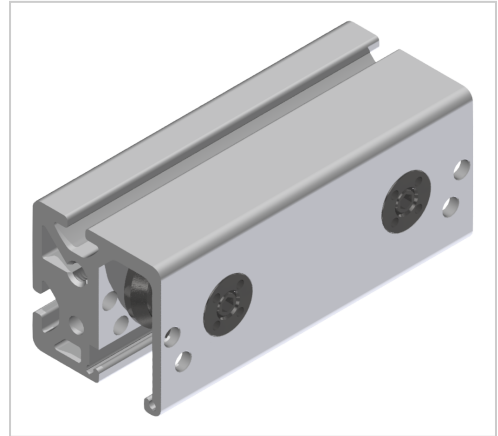


## Double-Bearing Unit 8 D14 e, stainless

**Product number** ZI-1652

**Weight** 0.208kg



### Product description

Linear slides are built with storage units. They are used in pairs, 1 each eccentric (this is set free of play) and opposite 1 centric. In order to minimize wear, a wiper lubrication system must be installed on every bearing unit.

### Product properties

<b>Compatible with</b>	item
<b>Part type</b>	Roller guides
<b>Series</b>	Series 8
<b>Material</b>	Stainless steel
<b>Diameter mm</b>	Ø 14

## More images

