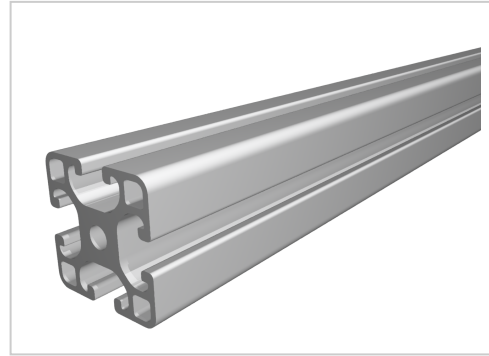


Profile 12 60x60 light, natural

Product number PI-8035 SZ

Weight 15.846kg



Product description

Profiles light 12 are suitable for a wide variety of assemblies. The grooves and the core holes of the profiles 12 are designed for screws M12.

Cut to size max. 6000 mm

Product properties

Material	Al Mg Si 0.5 F25, artificially aged
Anodised	E6EV1 10-15 µm silver
Tolerances	EN 12020-2
Compatible with	item
Nutauszugskraft	F=5.000 N
Breite Profil	60 mm
Höhe Profil	60 mm
Groove shape	Open grooves
Size	60x60 mm
Profile length	Cut length
Delivery unit	Cuts
Execution	light
Colour	natural
Series	Series 12

More images

