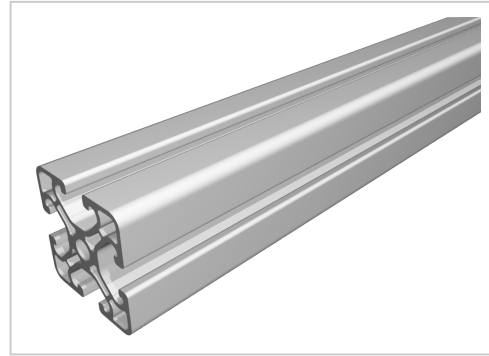


Profile 10 50x50 E, natural

Product number PI-7020 SN6000
Weight 14.304kg
Length 6000mm



Product description

The profiles 10 E are suitable for weight-optimized assemblies of all kinds. Due to the different profile geometries, the material requirements can be adapted to the application. The grooves and the core holes of the profiles 10 E are designed for M10 screws.

Delivery length 6030 mm

Product properties

Material Al Mg Si 0.5 F25, artificially aged
Anodised E6EV1 10-15 µm silver
Tolerances EN 12020-2
Nutauszugskraft F=3.500 N
Breite Profil 50 mm
Höhe Profil 50 mm
Groove shape Open grooves
Delivery unit Rods
Contour Square
Profile length 6000 mm bar
Series Series 10
Colour natural
Execution economy
Size 50x50 mm

More images

