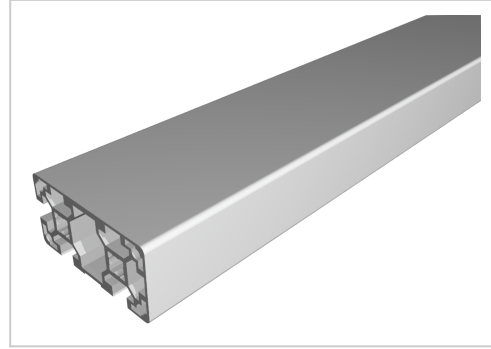


Profile 40x80 3N90° light natural-10

Product number	PB-1175 SN6000
Weight	31.35kg
Length	6000mm



Product description

The profiles in pitch 40 with groove 10 are suitable for assemblies of all kinds. Due to the different profile geometries, the material requirements can be adapted to the application. The grooves are designed for M8 screws.
Delivery length 6030 mm

Compatible with Bosch 3 842 993 654

Product properties

Compatible with	Bosch
Nutauszugskraft	F=7.000 N
Breite Profil	80 mm
Höhe Profil	40 mm
Delivery unit	Rods
Profile length	6000 mm bar
Modular dimension	Modular dimension 40
Execution	light
Contour	Rectangular
Series	Series 40-10
Colour	natural
Size	80x40 mm
Groove shape	2 sides closed 90°

More images

