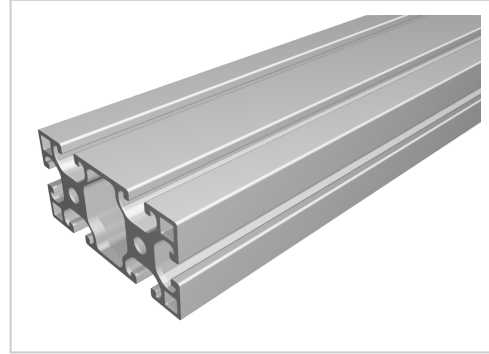


Profile X 8 80x40 light, natural

Product number PI-6020 SZ

Weight 3.09kg



Product description

The profiles of the Z8 series are weight-optimised profiles in cross-sections of 40x40, 40x80 and 80x80. The profile grooves are freely accessible or hidden under a flush smooth outer surface. If necessary, the cover can be easily opened and removed for the shoring of connecting elements or for the attachment of accessories. The sharp-edged geometry of the profile outer edge results in a level transition in the profile joint. The grooves and the core holes of the Z8 profiles are designed for M8 screws.

Cut to size max. 6000 mm

Product properties

Material	Al Mg Si 0.5 F25, artificially aged
Anodised	E6EV1 10-15 µm silver
Tolerances	EN 12020-2
Compatible with	item
Nutauszugskraft	F=2.500 N
Breite Profil	80 mm
Höhe Profil	40 mm
Execution	X, light
Groove shape	Open grooves
Profile length	Cut length
Series	Series 8
Delivery unit	Cuts
Contour	Rectangular
Colour	natural
Size	80x40 mm

More images

