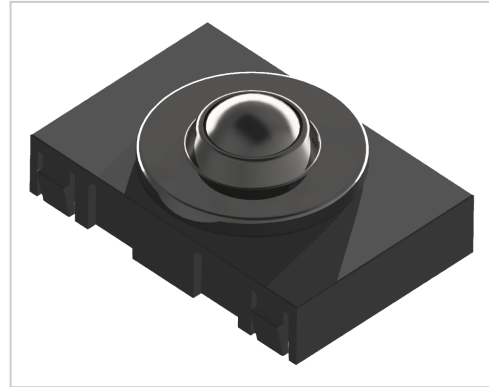


Ball Unit ESD, black-Alu

Product number ZL-1125

Weight 0.071kg



Product description

The ball element ESD offers a low-wear and low-friction ball roller d 16 mm. It enables flexible movement in two dimensions, e.g. in switches or locks.

Product properties

Compatible with item , Bosch

Series i- LPS Lean Production, B- LPS Lean Production

Part type Roller conveyor inserts

Colour black

Lean system type D28 steel kit system, D30 Aluminium i kit system, D28 Aluminium B kit system

ESD discharging Yes

More images

