

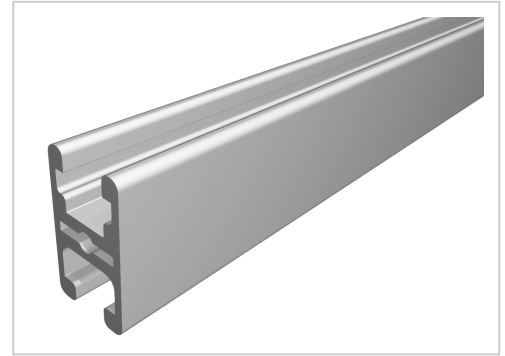
Clamp Profile 8 32x18, natural

Klemmprofil 8 32x18 natur – für flächenbündige und stabile Befestigung von Platten oder Füllungen. Ideal für Maschinenverkleidungen und modulare Konstruktionen.

Product number PI-1420 SN6000

Weight 4.038kg

Length 6000mm



Product description

The clamping profile 18x32 is suitable for the construction of light sliding doors and swing doors. The panel element is fixed with a clamping spring. The clamping profile 18x32 has a groove with 10 mm and one with 8 mm.

Delivery length 6030 mm

Product properties

Material	Al Mg Si 0.5 F25, artificially aged
Anodised	E6EV1 10-15 µm silver
Tolerances	EN 12020-2
Compatible with	item
Nutauszugskraft	F=2.500 N
Breite Profil	32 mm
Höhe Profil	18 mm
Funktionsintegration	Flächenbefestigung
Delivery unit	Rods
Series	Series 8
Groove shape	Clamp Profile
Profile length	6000 mm bar
Colour	natural
Execution	heavy
Size	32x18 mm

More images

