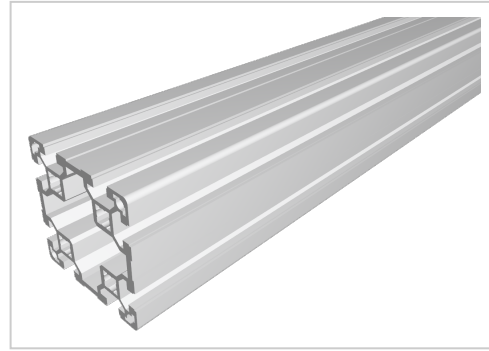


Profile 80x80 light natural-10

Product number PB-1150 SZ

Weight 4.98kg



Product description

The profiles in pitch 45 with groove 10 are suitable for assemblies of all kinds. Due to the different profile geometries, the material requirements can be adapted to the application. The grooves are designed for M8 screws.

Cut to size max. 6000 mm

Compatible with Bosch 3 842 993 423

Product properties

Compatible with	Bosch
Nutauszugskraft	F=7.000 N
Breite Profil	80 mm
Höhe Profil	80 mm
Groove shape	Open grooves
Profile length	Cut length
Size	80x80 mm
Contour	Square
Modular dimension	Modular dimension 40
Delivery unit	Cuts
Execution	light
Series	Series 40-10
Colour	natural

More images

