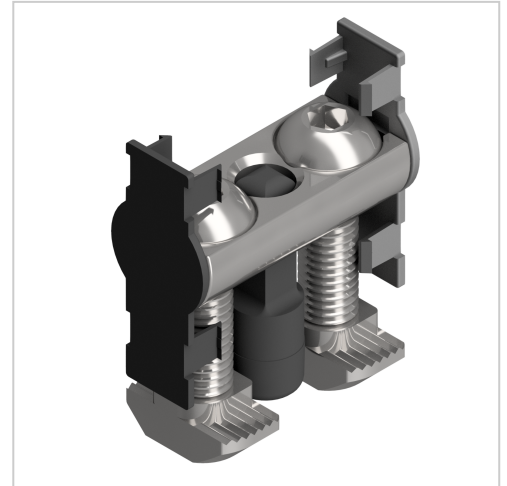


# Bolt Connector Set 40, bright zinc-plated-10

**Product number** VB-3010

**Weight** 0.074kg



## Product description

The bolt connector is used to connect two profiles at right angles. It is suitable for very high loads, including torsion. It can be installed in already mounted assemblies.

## Product properties

|                           |                               |
|---------------------------|-------------------------------|
| <b>Force limitation</b>   | $F < 4.000 \text{ N}$         |
| <b>Torque limitation</b>  | $F \times l < 180 \text{ Nm}$ |
| <b>Compatible with</b>    | Bosch                         |
| <b>Part type</b>          | Connector                     |
| <b>suitable connector</b> | Matching connector B10 40     |
| <b>Connector type</b>     | Bolt connector                |
| <b>Modular dimension</b>  | Modular dimension 40          |
| <b>ESD discharging</b>    | Yes                           |
| <b>Series</b>             | Series 40-10                  |
| <b>Material</b>           | Galvanized steel              |

## More images

