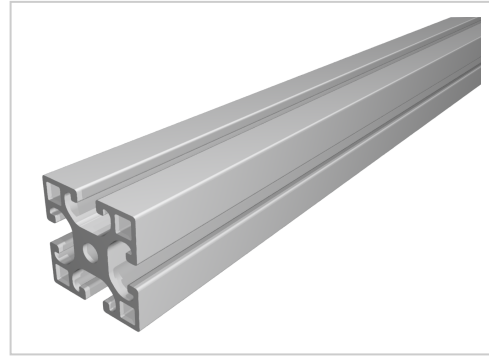


Profile X 8 40x40 light, natural

Product number	PI-6010 SN6000
Weight	10.67kg
Length	6000mm



Product description

The profiles of the Z8 series are weight-optimised profiles in cross-sections of 40x40, 40x80 and 80x80. The profile grooves are freely accessible or hidden under a flush smooth outer surface. If necessary, the cover can be easily opened and removed for the shoring of connecting elements or for the attachment of accessories. The sharp-edged geometry of the profile outer edge results in a smooth transition in the profile joint. The grooves and the core holes of the Z8 profiles are designed for M8 screws.

Delivery length 6030 mm

Product properties

Material	Al Mg Si 0.5 F25, artificially aged
Anodised	E6EV1 10-15 µm silver
Tolerances	EN 12020-2
Compatible with	item
Nutauszugskraft	F=2.500 N
Breite Profil	40 mm
Höhe Profil	40 mm
Execution	X, light
Groove shape	Open grooves
Delivery unit	Rods
Series	Series 8
Profile length	6000 mm bar
Size	40x40 mm
Colour	natural

More images

