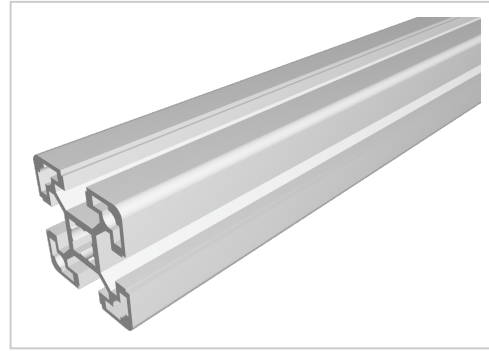


Profile 40x40 light natural-10

Product number PB-1110 SN2000

Weight 2.989kg

Length 2000mm



Product description

The profiles in pitch 40 with groove 10 are suitable for assemblies of all kinds. Due to the different profile geometries, the material requirements can be adapted to the application. The grooves are designed for M8 screws.

Delivery length 2000 mm

Compatible with Bosch 3 842 993 120

Product properties

Material	Al Mg Si 0.5 F25, artificially aged
Anodised	E6EV1 10-15 µm silver
Tolerances	EN 12020-2
Compatible with	Bosch
Nutauszugskraft	F=7.000 N
Breite Profil	40 mm
Höhe Profil	40 mm
Groove shape	Open grooves
Delivery unit	Rods
Profile length	2000 mm bar
Contour	Square
Modular dimension	Modular dimension 40
Execution	light
Size	40x40 mm
Series	Series 40-10
Colour	natural

More images

