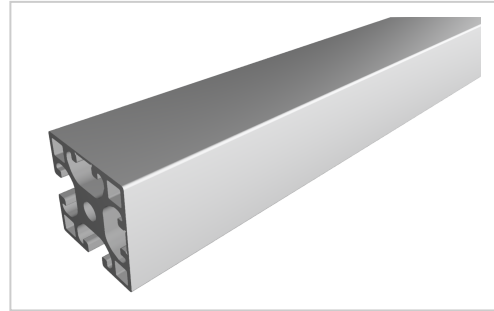


Profile X 8 40x40 2N90 light, natural

Product number PI-6012 SZ

Weight 1.853kg



Product description

The profiles of the Z8 series are weight-optimised profiles in cross-sections of 40x40, 40x80 and 80x80. The profile grooves are freely accessible or hidden under a flush smooth outer surface. If necessary, the cover can be easily opened and removed for the shoring of connecting elements or for the attachment of accessories. The sharp-edged geometry of the profile outer edge results in a level transition in the profile joint. The grooves and the core holes of the Z8 profiles are designed for M8 screws.

Cut to size max. 6000 mm

Product properties

Material	Al Mg Si 0.5 F25, artificially aged
Anodised	E6EV1 10-15 µm silver
Tolerances	EN 12020-2
Compatible with	item
Nutauszugskraft	F=2.500 N
Breite Profil	40 mm
Höhe Profil	40 mm
Funktionsintegration	einfache Nutöffnung (NO)
Execution	X, light
Profile length	Cut length
Series	Series 8
Contour	Square
Delivery unit	Cuts
Size	40x40 mm
Colour	natural
Groove shape	2 sides closed 90°

More images

