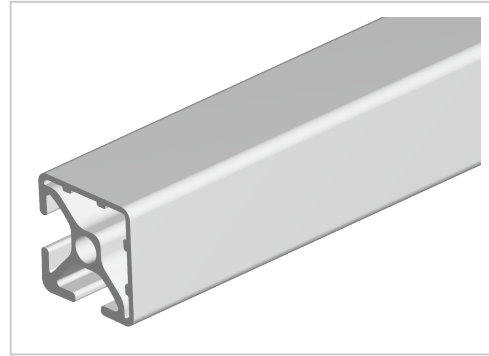


Profile 830 30x30 2N90, natural

Product number PI-2050 SZ

Weight 0.986kg



Product description

Profiles 8-30 are particularly suitable for weight-optimised assemblies. The grooves and the core holes of profiles 8 are designed for M8 screws.

Cut to size max. 6000 mm

Product properties

Material	Al Mg Si 0.5 F25, artificially aged
Anodised	E6EV1 10-15 µm silver
Tolerances	EN 12020-2
Compatible with	item
Nutauszugskraft	F=500 N
Breite Profil	30 mm
Höhe Profil	30 mm
Profile length	Cut length
Delivery unit	Cuts
Size	30x30 mm
Colour	natural
Series	Series 8 30
Execution	heavy
Groove shape	2 sides closed 90°

More images

