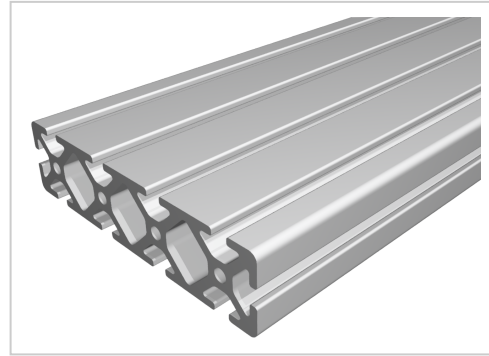


Profile 6 120x30, natural

Product number PI-3030 SZ

Weight 4.17kg



Product description

Profiles 6 are particularly suitable for weight-optimised assemblies. The grooves and the core holes of profiles 6 are designed for M6 screws.

Cut to size max. 6000 mm

Product properties

Material	Al Mg Si 0.5 F25, artificially aged
Anodised	E6EV1 10-15 µm silver
Tolerances	EN 12020-2
Breite Profil	120 mm
Höhe Profil	30 mm
Series	Series 6
Groove shape	Open grooves
Profile length	Cut length
Delivery unit	Cuts
Contour	Rectangular
Size	120x30 mm
Colour	natural
Execution	heavy

More images

