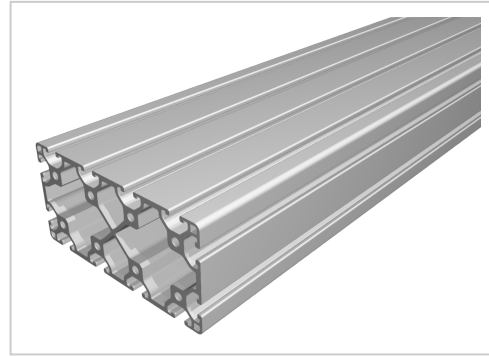


Profile 6 120x60 light, natural

Product number PI-3100 SZ

Weight 5.05kg



Product description

Profiles 6 are particularly suitable for weight-optimised assemblies. The grooves and the core holes of profiles 6 are designed for M6 screws.

Cut to size max. 6000 mm

Product properties

Material	Al Mg Si 0.5 F25, artificially aged
Anodised	E6EV1 10-15 µm silver
Tolerances	EN 12020-2
Nutauszugskraft	F=500 N
Breite Profil	120 mm
Höhe Profil	60 mm
Series	Series 6
Groove shape	Open grooves
Profile length	Cut length
Delivery unit	Cuts
Execution	light
Contour	Rectangular
Size	120x60 mm
Colour	natural

More images

