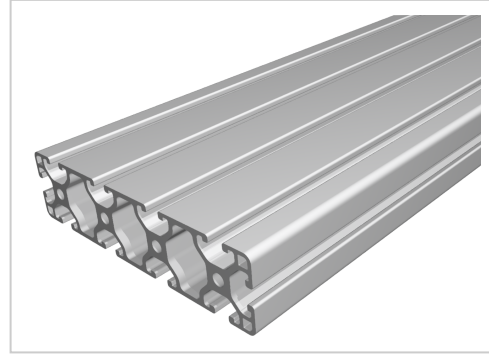


Profile 6 120x30 light, natural

Product number PI-3080 SN6000
Weight 17.13kg
Length 6000mm



Product description

Profiles 6 light are particularly suitable for weight-optimised assemblies. The grooves and the core holes of the profiles 6 are designed for M6 screws.

Delivery length 6030 mm

Product properties

Material Al Mg Si 0.5 F25, artificially aged
Anodised E6EV1 10-15 µm silver
Tolerances EN 12020-2
Compatible with item
Nutauszugskraft F=500 N
Breite Profil 120 mm
Höhe Profil 30 mm
Series Series 6
Groove shape Open grooves
Delivery unit Rods
Profile length 6000 mm bar
Execution light
Contour Rectangular
Size 120x30 mm
Colour natural

More images

