

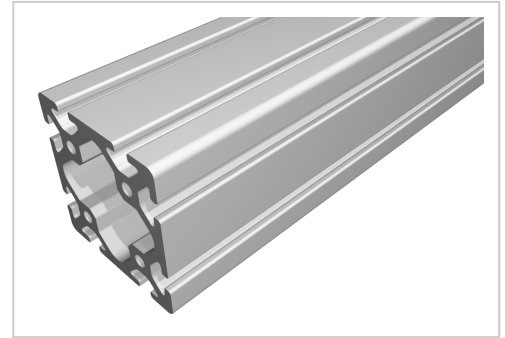
Profile 10 100x100, natural

Profil 10 100x100 natur – massives Aluminiumprofil für tragende Konstruktionen, Maschinenunterbauten und industrielle Rahmenlösungen. Maximale Stabilität für Baureihe 10.

Product number PI-7060 SN6000

Weight 63.9kg

Length 6000mm



Product description

Profiles 10 are suitable for a wide range of assemblies. The grooves and the core holes of the profiles 10 are designed for M10 screws.

Delivery length 6030 mm

Product properties

Material	Al Mg Si 0.5 F25, artificially aged
Anodised	E6EV1 10-15 µm silver
Tolerances	EN 12020-2
Compatible with	item
Nutauszugskraft	F=7.000 N
Breite Profil	100 mm
Höhe Profil	100 mm
Groove shape	Open grooves
Delivery unit	Rods
Contour	Square
Profile length	6000 mm bar
Size	100x100 mm
Series	Series 10
Colour	natural
Execution	heavy

More images

