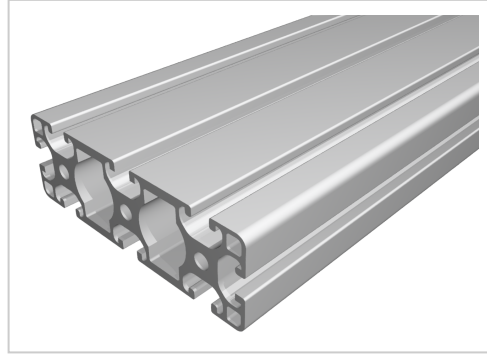


## Profile 8 120x40 medium, natural

<b>Product number</b>	PI-1150 SN6000
<b>Weight</b>	28.59kg
<b>Length</b>	6000mm



### Product description

Profiles 8 are suitable for assemblies of all kinds. Due to the different profile geometries, the material requirements can be adapted to the application. The grooves and the core holes of the profiles 8 are designed for M8 screws.

Delivery length 6030 mm

### Product properties

<b>Material</b>	Al Mg Si 0.5 F25, artificially aged
<b>Anodised</b>	E6EV1 10-15 µm silver
<b>Tolerances</b>	EN 12020-2
<b>Compatible with</b>	item
<b>Nutauszugskraft</b>	F=2.500 N
<b>Breite Profil</b>	120 mm
<b>Höhe Profil</b>	40 mm
<b>Groove shape</b>	Open grooves
<b>Size</b>	120x40 mm
<b>Delivery unit</b>	Rods
<b>Series</b>	Series 8
<b>Profile length</b>	6000 mm bar
<b>Execution</b>	light
<b>Contour</b>	Rectangular
<b>Colour</b>	natural

More images

