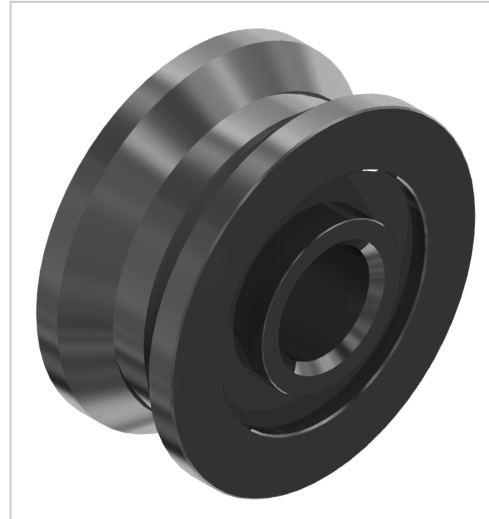


## Roller D14, stainless

**Product number** ZI-1666

**Weight** 0.104kg



### Product description

Precision roller for use in the bearing units 8.

### Product properties

<b>Compatible with</b>	item
<b>Part type</b>	Roller guides
<b>Series</b>	Series 8
<b>Material</b>	Stainless steel
<b>Diameter mm</b>	Ø 14

More images

