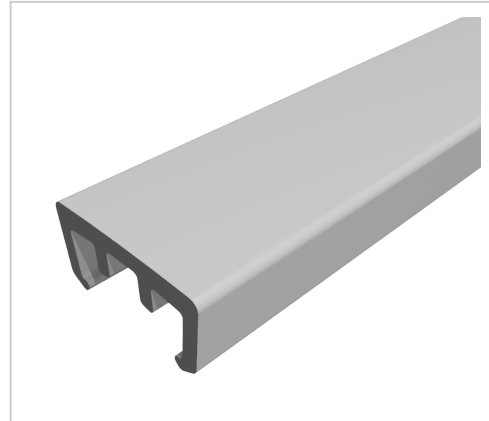


## Slide Strip D30, grey

**Product number** ZL-1952 SN2000

**Weight** 0.122kg

**Length** 2000mm



### Product description

Delivery length 2000 mm

### Product properties

**Compatible with** item

**Series** i- LPS Lean Production

**Part type** Sliding glides

**Delivery unit** Rods

**Colour** grey

**Material** PE-HD

**Lean system type** D30 Aluminium i kit system

## More images

