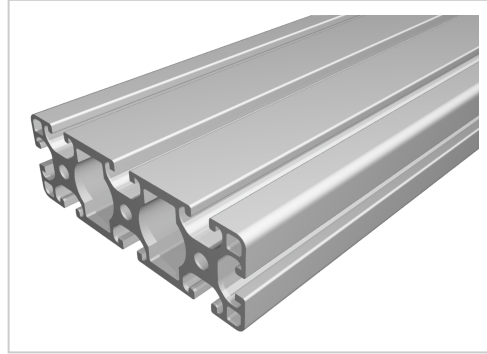


Profile 8 120x40 medium, natural

Product number PI-1150 SZ

Weight 4.765kg



Product description

Profiles 8 are suitable for assemblies of all kinds. Due to the different profile geometries, the material requirements can be adapted to the application. The grooves and the core holes of the profiles 8 are designed for M8 screws.

Cut to size max. 6000 mm

Product properties

Compatible with	item
Nutauszugskraft	F=2.500 N
Breite Profil	120 mm
Höhe Profil	40 mm
Groove shape	Open grooves
Size	120x40 mm
Profile length	Cut length
Series	Series 8
Delivery unit	Cuts
Execution	light
Contour	Rectangular
Colour	natural

More images

