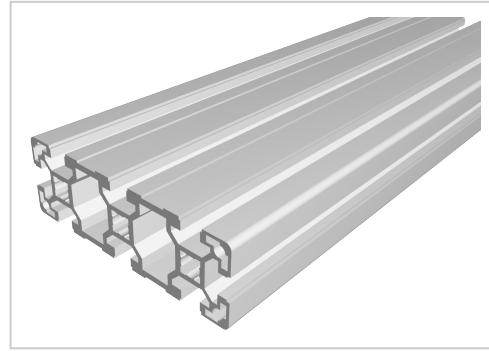


# Profile 40x120 light natural-10

**Product number** PB-1140 SN6000  
**Weight** 25.2kg  
**Length** 6000mm



## Product description

The profiles in pitch 40 with groove 10 are suitable for assemblies of all kinds. Due to the different profile geometries, the material requirements can be adapted to the application. The grooves are designed for M8 screws.  
Delivery length 6030 mm

Compatible with Bosch 3 842 993 136

## Product properties

<b>Material</b>	Al Mg Si 0.5 F25, artificially aged
<b>Anodised</b>	E6EV1 10-15 µm silver
<b>Tolerances</b>	EN 12020-2
<b>Compatible with</b>	Bosch
<b>Nutauszugskraft</b>	F=7.000 N
<b>Breite Profil</b>	120 mm
<b>Höhe Profil</b>	40 mm
<b>Groove shape</b>	Open grooves
<b>Size</b>	120x40 mm
<b>Delivery unit</b>	Rods
<b>Profile length</b>	6000 mm bar
<b>Modular dimension</b>	Modular dimension 40
<b>Execution</b>	light
<b>Contour</b>	Rectangular
<b>Series</b>	Series 40-10
<b>Colour</b>	natural

More images

